

Technical Datasheet

Movable Charger

The Movable Charger is the stand-alone, mobile solution for fast DC charging of all types of electric vehicles.

The Movable Charger can be used anywhere: events, bus & truck depots, logistic centers, car service shops, and other locations where fast charging is needed. The only requirement for using the plug-and-play Movable Charger is a 100 A or 60 A mains socket.

The Movable Charger can have one or two DC charging outputs, with CCS1 and CHAdeMo as the standard options. The available charging power is automatically distributed between the charging outputs.

There are two output voltage levels: 500 VDC and 800 VDC.



Power range

Up to **50** kW

Number of outputs

1-2



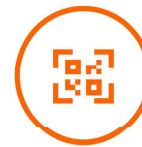
- 1 7" touch screen display
- 2 RFID reader (ISO 14443A)
- 3 Vehicle connectors and holders
- 4 Charging status indication LEDs
- 5 Removable wheels
- 6 Mounting pad



Movable Charger for easy use wherever needed



Plug & play, easy to commission & use



On-screen QR code for following the charging status on your mobile phone



Removable wheels for fixed installation



Stand-alone charging system



Advanced charging control and customization with backend cloud solution

Product code interpretation

T800•P40•UU•7•A•S•L•C0 Movable Charger T800 • 50 kW charging power
 • 2 x CCS1 vehicle connector • charging cable length 7 m/23 ft.
 • nominal charging cable current 80 A • standard user interface
 • ETL certification • unbranded

Item	Code	Description
Product type	T500	Movable Charger 500 V
	T800	Movable Charger 800 V
Charging power	P40	50 kW at nominal voltage*
Vehicle connector type	D	CHAdeMO CCS1
	U	2 x CCS1
	UU	CCS1 & CHAdeMO
	UD	
Charging cable length	5	5 m/16.4 ft.
	7	7 m/23 ft.
Nominal charging cable current	A	80 A (CCS1)
	B	125 A (CHAdeMO), 150 A (CCS1)
User interface	S	Standard user interface
Certification	L	ETL-approved product
Branding options	C0	Unbranded, no stickers
	Cn	Branded: number (n) indicates branding, e.g. C8

* 40 kW at input nominal voltage <440 VAC

General electrical specifications

Grid connection (AC)	3P+PE 100 A
Grid supply connector	IEC 60309-1, -2/UL 1682/C22.2 No. 182.1-13
Supply cable length	5 m/16.4 ft.
Input nominal voltage	480 VAC
Input operating voltage	380...480 VAC +6%/-10%
Input frequency	50...60 Hz
Nominal input power	58 kVA (at nominal input voltage)
Power factor at full load	0.92
Efficiency at full load	94%
Idle power	20 VA
Overvoltage category	III
Rated conditional short-circuit current	25 kA
Network type	TN-S, TN-C, TN-C-S, TT

Environmental specifications

Operating temperature	-30...+50 °C/-22...122 °F
Current derating	Maximum charging current decreases 2% for every 1 °C/1.8 °F rise in temperature above +25 °C/77 °F
Maximum altitude without derating	2000 m/6562 ft.
Altitude derating	Maximum charging current decreases 1.4% for every 100 m/328 ft. rise above 2000 m/6562 ft.
Operational noise level	< 60 dB at 1 m/3.3 ft. distance
Storage temperature	-40...+60 °C/-40...140 °F
Ambient air humidity	< 95% relative humidity
Enclosure rating	Suitable for outdoor use

Connections and protocols

WiFi	802.11 b/g/n (2.4/5 GHz)
Cellular/GPS	LTE-FDD, LTE-TDD, WCDMA, GSM
Ethernet	RJ45, IEEE 802.3/802.3u
OCPP	1.6j/2.0.1
Connectivity	EV-OLUTION ChargEye solution

Electrical protections

Over/undervoltage
Surge protection
Short circuit
Overload protection
Earth leakage current monitoring
Device overtemperature
Vehicle connector pin temperature monitoring

DC charging output

	T500 (500 V)	T800 (800 V)
Nominal output power at 480 VAC	50 kW (with 2 outputs: Dynamic 50 kW one output or 25 kW per output at 480 VAC and 400 VDC)	50 kW (with 2 outputs: Dynamic 50 kW one output or 25 kW per output at 480 VAC and 667 VDC)
Nominal output current	2 x 63 A, 1 x 125 A	2 x 37 A, 1 x 75 A
Output voltage range	150...500 VDC	200...920 VDC

Product codes

Product code	Charging outputs	Vehicle connector	Simul. charging with 2 outputs	Nominal charging cable current
T500				
T•U•5B•S•L	1	CCS1	N/A	150 A
T•UU•5B•S•L	2	2 x CCS1	Yes	2 x 150 A
T•D•5B•S•L	1	CHAdeMO	N/A	125 A
T•UD•5B•S•L	2	CCS1 & CHAdeMO	Yes	150 A & 125 A
T800				
T•U•5A•S•L	1	CCS1	N/A	80 A
T•UU•5A•S•L	2	2 x CCS1	Yes	2 x 80 A
T•UD•5A•S•L	2	CCS1 & CHAdeMO	Yes	80 A & 125 A

Note: Versions with 7 m/23 ft. charging cables, change 5 to 7 in the product code, e.g. from T500•P40•CD•5•B•S to T500•P40•CD•7•B•S

Note: For CCS2 vehicle connector availability, contact EV-OLUTION

Note: T800 with CHAdeMO, voltage and power limitations apply

Compliance to standards

IEC 61851-1, IEC 61851-23, IEC 61851-21-2, IEC 62196-3, IEC 60309
UL 2202, UL 2231-1, UL 2231-2, UL 1682
CSA Std. c22.2 No. 281.2, CSA Std. c22.2 No. 107.1
C22.2 No. 182.1-13
EMC Class A FCC Part 15

Options

CCS2 charging cables	Available upon request
Customized branding	Branding options, such as custom colors and stickers Contact EV-OLUTION for availability, pricing, and minimum order quantity

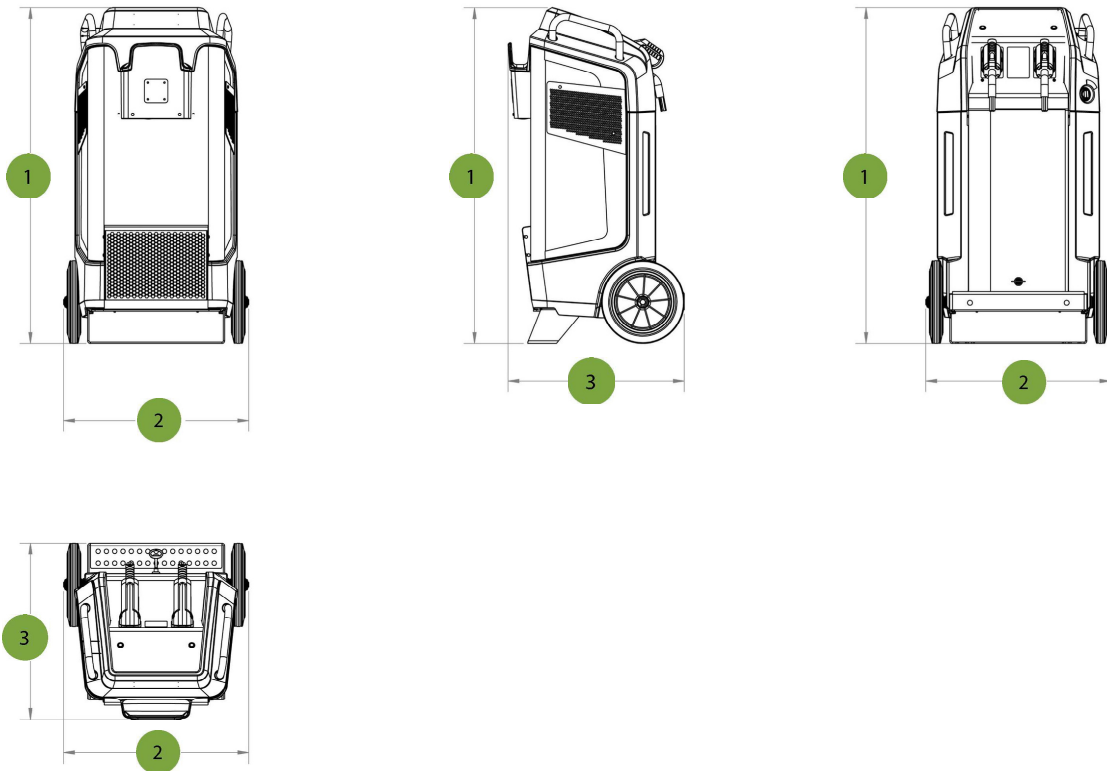
Mechanical dimensions

Size (W x H x D)

Ca. 638 x 1216 x 670 mm/25.1 x 47.9 x 26 in.
--

Weight

1 charging cable	Ca. 140–150 kg/309–331 lb.
2 charging cables	Ca. 160–180 kg/353–397 lb.



- 1 1216 mm/47.9 in.
- 2 670 mm/26.4 in.
- 3 638 mm/25.1 in.